



The Electric Merchants Association

Shreeji Bhuvan, 2nd Floor, R. No. 7 & 12, EMA Chowk, 51-Mangaldas Lane, Lohar Chawl, Mumbai 400002.

Phone : 022-22060625, 22088141, Talkfree : *7202 | *7203

E-mail: office@emamumbai.com | Website: www.emamumbai.com

Defaulters?

Are you fed up of your defaulters?

If yes,

Download our
EMA MUMBAI APP

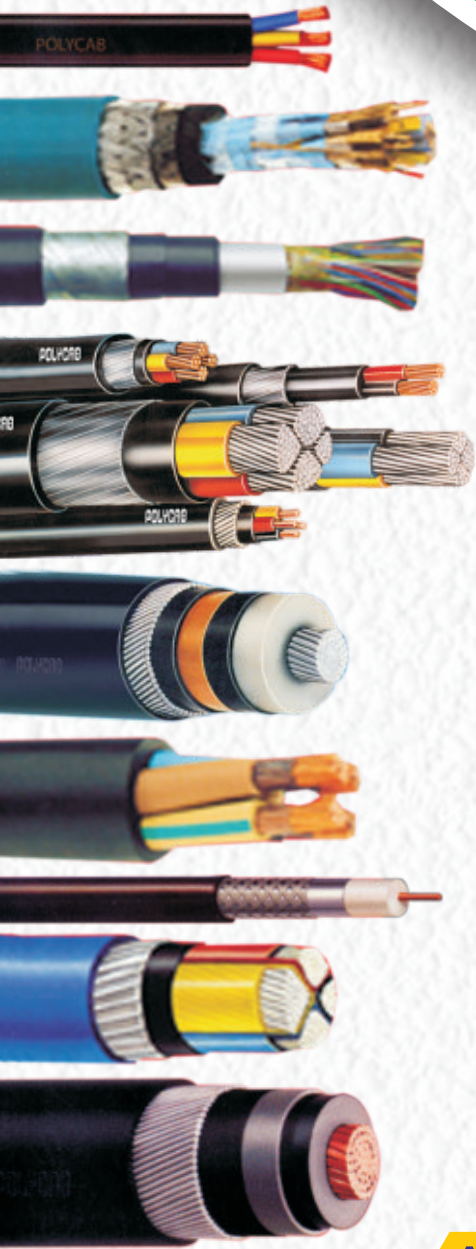
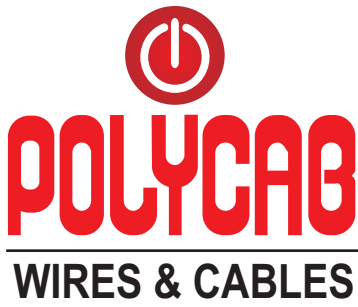
Save EMA Mumbai
WhatsApp Number

7700065111

www.emamumbai.com



Authorised Distributors :



- FR/FR-LSH-PVC INSULATED INDUSTRIAL MULTI STRAND CABLES
- PVC INSULATED INDUSTRIAL FLEXIBLE SINGLE / MULTI CORE CABLES
- 3 CORE FLAT SUBMERSIBLE CABLES / SERVICE WIRES
- HT / LT POWER AND CONTROL CABLES
- RAILWAY SIGNALLING / QUAD CABLES
- COAXIAL / TELEPHONE / LAN CABLES
- WELDING / BRAIDED CABLES
- JELLY FILLED TELEPHONE CABLES
- INSTRUMENTATION CABLES
- SPEAKER / CCTV CABLES
- RUBBER CABLES
- FIRE SURVIVAL CABLES
- LIGHTING & LUMINARIES
- SWITCHES & SWITCHGEARS
- UPVC CONDUITS & FITTINGS
- CABLE GLANDS & LUGS
- FANS & APPLIANCES

AMRISH KACHARIA +91 9769025153

PRABHAT WIRES LLP

1st Floor, Govind Niwas, 99/101, Lohar Chawl, Mumbai 400002. Talk Free : *7444 / *7619
Tel.: +91 22 4972 4848 (10 Lines) Email : sales@prabhatwires.in
Website : www.prabhatwires.in





The Electric Merchants' Association

Shreeji Bhuvan, 2nd Floor, R. No. 7 & 12, EMA Chowk, 51, Mangaldas Lane, Lohar Chawl, Mumbai - 400 002.
Phone: 022 - 2206 0625, 2208 8141 • TalkFree.: *7202 / *7203
Email: office@emamumbai.com | Website: www.emamumbai.com

CONTENTS

THE PRESIDENT'S ADDRESS & GREETINGS	3
NOTICE FOR EMA ELECTIONS / IMPORTANT NEWS	4-5
GST MONTHLY NEWS	6
ONLINE WEBINAR ON DENTAL HEALTH	7
COVAXIN OR COVISHIELD (CORONA NEWS)	10-11
EMA'S LOGO / APPEAL / MEMBERS CONTACT	12
FAKE GST INVOICING	14-15
REPORT - 26TH ANNUAL PICNIC / TECH. VISIT	16-19
TECH KNOWLEDGE - RF ENERGY METERS	20-21
POSTPONMENT LETTER (EMA PREMIER LEAGUE)	22
POLICY, VISION & OBJECTIVES OF EMA	24
EMA MEMBERSHIPS / FEB. GST COLLECTIONS	25
EMA - FEEDBACK FORM	26
EMA TARIFF (HALL, P/L. DIST., WEBSITE & JOURNAL)	27
EMA PREMIER LEAGUE 2021 FORM	28

+91 7700065111

emamumbai emamumbai

emamumbai

Mobile App: "EMA MUMBAI" available to download on the



EMA BANK DETAILS:

Bank Name : UNION BANK OF INDIA Branch : PRINCESS STREET
A/C. No.: 319102010077272 IFSC CODE : UBIN0531910

AFFILIATION



UPCOMING EVENTS



Festive Cricket Match



Online Seminar



Yearly Ent. Program

All the upcoming events will be held under strict instructions and guidelines laid down by the government.

Stay Safe | Wash Hands | Wear Mask regularly

Sanitize regularly | Maintain Social Distancing

DIGITAL MULTIMETERS



801 JUNIOR

603 JUNIOR



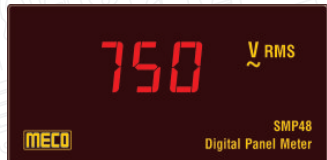
HOLSTER WITH MAGNET

TORCH LIGHT

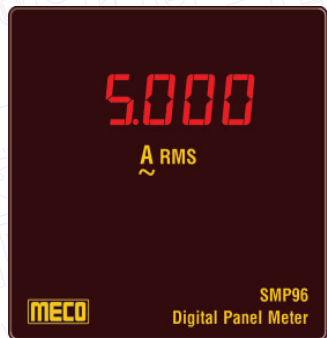
TEST LEAD GRIPPER

- 3½ Digit 6000 Counts (801 JUNIOR)
- 3½ Digit 1999 Counts (603 JUNIOR)
- LCD with Backlight
- TRMS Auto Ranging (801 JUNIOR)
- Manual Ranging (603 JUNIOR)
- Upto 1000V DC
- Upto 750V AC (TRMS in 801 JUNIOR)
- Upto 10A DC / AC (TRMS in 801 JUNIOR)
- 600Ω ~ 60MΩ (801 JUNIOR)
- 200Ω ~ 20MΩ (603 JUNIOR)
- Transistor Test [hFE] (603 JUNIOR)
- 60.00nF ~ 100.0mF (801 JUNIOR)
- 60.00Hz ~ 10.00MHz (801 JUNIOR)
- 1% ~ 99% Duty Cycle (801 JUNIOR)
- -20°C ~ 1000°C [-4°F ~ 1832°F] (801 JUNIOR)
- Data Hold, APO, NCV (Buzzer & Red LED), Diode Test (801 JUNIOR), Continuity Test (Buzzer & Red LED), Holster with Magnet, Torch Light, Test Lead Gripper

PROGRAMMABLE DPM'S - TRMS



SMP48



SMP96 / SMP72

- TRMS Using Micro-Controller
- 4 Digit / 9999 Counts (Max.) High Resolution Display
- User Programmable Display (Primary CT / PT & Shunt Value)
- Auto Selection of Decimal Point
- Red LED Super Bright Display
- High Accuracy Across the Entire Range
- Auxiliary Supply : 85 ~ 265V AC / DC @ 50 / 60Hz

Ranges

Input		Range (Any One Only)
DC	mV	0 - 50
		0 - 60
		0 - 75
		0 - 100
		0 - 150
		0 - 200
V	0-20, 200, 1000	
	mA	0 - 2, 20, 200
	A	0 - 2, 5, 20
AC	V	0 - 110 (PT Operated)
		0 - 20, 200, 750
	A	0 - 1, 5, 20

INSULATION TESTERS

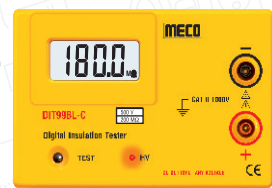


Analog

MC-900BA Series

Model	Range	Test Voltage DC
MC-901	0 - 20 M Ohms	100 V
MC-903	0 - 100 M Ohms	500 V
MC-904	0 - 500 M Ohms	500 V
MC-941	0 - 1000 M Ohms	500 V
MC-906	0 - 200 M Ohms	1000 V
MC-907	0 - 500 M Ohms	1000 V
MC-981	0 - 2000 M Ohms	1000 V

Digital



DIT 99BL Series

Model	Range	Test Voltage DC
DIT 99BL-A	0 - 20 M Ohms	100 V
DIT 99BL-B	0 - 200 M Ohms	250 V
DIT 99BL-C	0 - 200 M Ohms	500 V
DIT 99BL-D	0 - 200 M Ohms	1000 V
DIT 99BL-E	0 - 2000 M Ohms	1000 V

5KV



DIT 954

Specification	Test Voltage / Range
Insulation Resistance	1000V / 2500V / 5000V 0.1mΩ to 200GΩ
AC Voltage Measurement	0 - 600V AC (50 - 60Hz)
Phase Sequence Test	100V - 450V (Phase - Phase) 40 - 60Hz

Authorised Dealers

DELUXE ELECTRICAL CORPORATION
Kanji Gokuldas Building, 2nd Floor,
158, Lohar Chawl, Mumbai - 400002
Tel : (022) 22057088 / 22092847
E-mail : gcjain1958@gmail.com

SKYKING INSTRUMENTS
Skyking Chambers,
374, Lamington Road, Mumbai - 400007
Tel : (022) 23886857 / 23887629
E-mail : skykingagencies@gmail.com

MOHNOT INSTRUMENTS
Shop No. D-53, Ground Floor, Sector - 17,
Vashi Plaza, Vashi, Navi Mumbai - 400705
Tel : (022) 27893510 / 27893511
E-mail : mohninst@gmail.com

PRESIDENT MESSAGE

Hello Friends,

Dear Colleagues and Friends;

Respected Past Presidents and my dear fellow members,

We are in a stage wherein we have Corona Vaccination & also we are now facing another phase of Corona virus as read in various news. Members should take utmost care while doing their business as again the virus spread is more in some areas of maharashtra. Therefore members kindly get your senior family members vaccinated at the earliest.

Some days back we had received complaints regarding demand of storage licence issues of godowns and warehouses from the government authorities, I would like to share that we have discussed the matter with the higher authorities, listened to their problems, discussed the same & the committee accepted their suggestions. The EMA Committee requests members to provide suggestions and clarifications in regards to the same.

This year's Annual Picnic was arranged by the Picnic Committee with utmost care & with safety norms. I thank the entire Picnic Committee, our Managing Committee members & the young EMA brigade for all the hard work and efforts put in towards the grand success of this event. I also thank the event sponsors, VND WEALTH MANAGERS PRIVATE LIMITED, SYSKA FANS, ORANGE ELECTRIC, RAYZ LIGHTING, AND DARSHAN LUMINARIES for the sincere support for making this event successful.

I would like to thank all Past Presidents, Advisors, Program sponsors and my committee for their efforts, support and co-operation till date and am sure they would lend the same support during my tenure.

Thank you,

sd/-

Ketan Kadakia

(President)



(ISO 9001:2015)

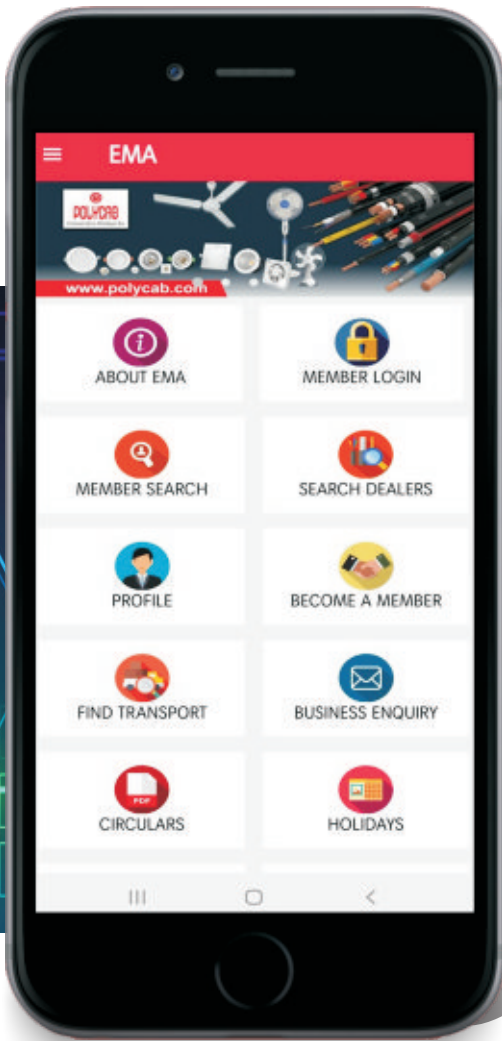
The Electric Merchants' Association



REPORT -DENTAL WEBINAR

Download Now

Our Upgraded App



EMA Mumbai App

POWERING your digital dreams,
Taking your **BUSINESS AHEAD**

1500+

DOWNLOADS

Latest Upgraded Features

- Modified Member Details
- Report Your Dispute / Defaulter Request
- Search & Tracking of Transportation and Courier
- Simplified User Interface
- Find Manufacturers, Distributors & Dealers
- Updated Member's Database
- Product wise - Search Manufacturers, Distributors & Dealers
- Brand wise - Search Manufacturers, Distributors & Dealers
- Make Instant Enquiry / Call in one touch & many more



Scan this code & download on your phone



APP FEATURES

REPORT YOUR DISPUTES / DEFAULTER REQUEST

STEPS TO REPORT YOUR DISPUTES / DEFAULTER REQUEST -

STEP 1

Collect all documentation relating to disputes

STEP -2

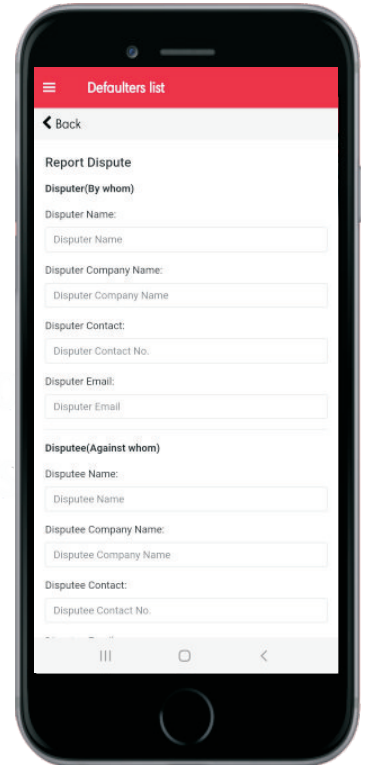
Do Member Login through – Website Member Login or EMA Mobile App

STEP – 3

Go to - Defaulter List Tab, click on report issue and submit your details along with supporting documents.

STEP – 4

EMA Dispute Committee will review the issues and make suggestions accordingly.



SEARCH AND TRACKING OF TRANSPORTATION AND COURIER

Now you can SEARCH AND TRACK YOUR TRANSPORTATION/COURIER DETAILS IN one touch

ON WEBSITE :

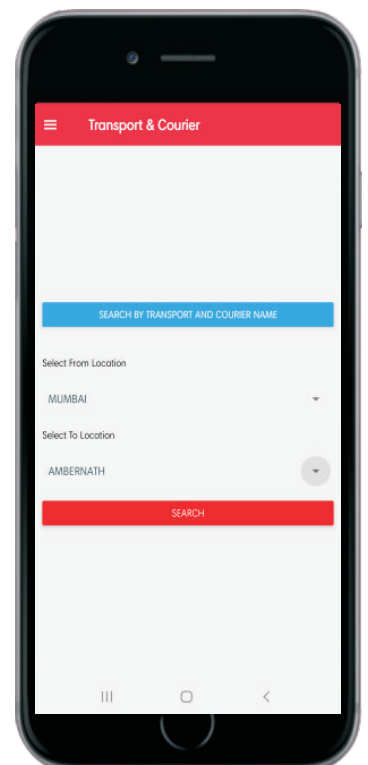
Click On Useful Links on Website

Go To Transport and Courier Tab

ON MOBILE APP :

Click On EMA App

Go To Transport and Courier Tab



APP SUPPORT NUMBER

90046 70001 / 86550 22771
022-28667766

COVID VACCINE FAQ

Is there a vaccine for COVID-19?

Yes there are now several vaccines that are in use. The first mass vaccination programme started in early December 2020 and the number of vaccination doses administered is updated on a daily basis here. At least 13 different vaccines (across 4 platforms) have been administered.

The Pfizer/BioNtech Comirnaty vaccine was listed for WHO Emergency Use Listing (EUL) on 31 December 2020. The SII/Covishield and AstraZeneca/AZD1222 vaccines (developed by AstraZeneca/Oxford and manufactured by the State Institute of India and SK Bio respectively) were given EUL on 16 February. The Janssen/Ad26.COV 2.S developed by Johnson & Johnson, was listed for EUL on 12 March 2021. The Moderna COVID-19 vaccine (mRNA 1273) was listed for EUL on 30 April 2021 and the Sinopharm COVID-19 vaccine was listed for EUL on 7 May 2021. The Sinopharm vaccine is produced by Beijing Bio-Institute of Biological Products Co Ltd, subsidiary of China National Biotec Group (CNBG). The Sinovac-CoronaVac was listed for EUL on 1 June 2021.

Who should get the COVID-19 vaccines?

The COVID-19 vaccines are safe for most people 18 years and older, including those with pre-existing conditions of any kind, including auto-immune disorders. These conditions include: hypertension, diabetes, asthma, pulmonary, liver and kidney disease, as well as chronic infections that are stable and controlled.

If supplies are limited in your area, discuss your situation with your care provider if you:

Have a compromised immune system

Are pregnant or nursing your baby

Have a history of severe allergies, particularly to a vaccine (or any of the ingredients in the vaccine)

Are severely frail

Should I be vaccinated if I have had COVID-19?

Even if you have already had COVID-19, you should be vaccinated when it is offered to you. The protection that someone gains from having COVID-19 will vary from person to person, and we also don't know how long natural immunity might last.

Can we stop taking precautions after being vaccinated?

Vaccination protects you from getting seriously ill and dying from COVID-19. For the first fourteen days after getting a vaccination, you do not have significant levels of protection, then it increases gradually. For a single dose vaccine, immunity will generally occur two weeks after vaccination. For two-dose vaccines, both doses are needed to achieve the highest level of immunity possible.

While a COVID-19 vaccine will protect you from serious illness and death, we are still learning about the extent to which it keeps you from being infected and passing the virus on to others (transmission). The data that is emerging from countries is showing that the vaccines that are currently in use are protecting against severe disease and hospitalization. However, no vaccine is 100% effective and breakthrough infections are regrettable, but to be expected.

Can I have the second dose with a different vaccine than the first dose?

Clinical trials in some countries are looking at whether you can have a first dose from one vaccine and a second dose from a different vaccine. There isn't enough data yet to recommend this type of combination.

COVID VACCINE > FAQ

Are vaccines safe?

Vaccination is safe and side effects from a vaccine are usually minor and temporary, such as a sore arm or mild fever. More serious side effects are possible, but extremely rare.

Any licensed vaccine is rigorously tested across multiple phases of trials before it is approved for use, and regularly reassessed once it is introduced. Scientists are also constantly monitoring information from several sources for any sign that a vaccine may cause health risks.

Remember, you are far more likely to be seriously injured by a vaccine-preventable disease than by a vaccine. For example, tetanus can cause extreme pain, muscle spasms (lockjaw) and blood clots, measles can cause encephalitis (an infection of the brain) and blindness. Many vaccine-preventable diseases can even result in death. The benefits of vaccination greatly outweigh the risks, and many more illnesses and deaths would occur without vaccines.

Are there side effects from vaccines?

Like any medicine, vaccines can cause mild side effects, such as a low-grade fever, or pain or redness at the injection site. Mild reactions go away within a few days on their own.

Severe or long-lasting side effects are extremely rare. Vaccines are continually monitored for safety, to detect rare adverse events.

Can a child be given more than one vaccine at a time?

Scientific evidence shows that giving several vaccines at the same time has no negative effect. Children are exposed to several hundred foreign substances that trigger an immune response every day. The simple act of eating food introduces new germs into the body, and numerous bacteria live in the mouth and nose.

When a combined vaccination is possible (e.g. for diphtheria, pertussis and tetanus), this means fewer injections and reduces discomfort for the child. It also means that your child is getting the right vaccine at the right time, to avoid the risk of contracting a potentially deadly disease.

Is there a link between vaccines and autism?

There is no evidence of any link between vaccines and autism or autistic disorders. This has been demonstrated in many studies, conducted across very large populations.

The 1998 study which raised concerns about a possible link between measles-mumps-rubella (MMR) vaccine and autism was later found to be seriously flawed and fraudulent. The paper was subsequently retracted by the journal that published it, and the doctor that published it lost his medical license. Unfortunately, its publication created fear that led to dropping immunization rates in some countries, and subsequent outbreaks of these diseases.

We must all ensure we are taking steps to share only credible, scientific information on vaccines, and the diseases they prevent.

I still have questions about vaccination. What should I do?

If you have questions about vaccines be sure to talk to your healthcare worker. He or she can provide you with science-based advice about vaccination for you and your family, including the recommended vaccination schedule in your country.

When looking online for information about vaccines, be sure to consult only trustworthy sources. To help you find them, WHO has reviewed and 'certified' many websites across the world that provide only information based on reliable scientific evidence and independent reviews by leading technical experts. These websites are all members of the

Source : WHO website

ESSEN ELECTRICAL ENTERPRISE



LIVE THE ADVANTAGE



by Honeywell

Block No.2 A, Ground Floor, Jawahar House, 285, Princess Street,
Next to Saraswat Co-op. Bank Ltd., Near Parsi Dairy Farm,
New Marine Line (East), Mumbai :- 400 002.

Phone : 91-22-2201 0018 /2206 4726 / 2200 3290

E-mail : essenelec@gmail.com

www.essenelec.com

TECH KNOWLEDGE ➤ SINGLE PHASING AND SINGLE PHASING PREVENTER

In this topic, we are going to learn a very important topic in electrical engineering that is What is Single Phasing? Working and connection of Single Phasing Preventer.

Before going to read about Single Phasing Preventer, you must be known about What is single Phasing?

So basically, absent of one phase among the three phases is called Single Phasing.

Why we need Single Phasing Preventer?

You may think that as the motor will continue to run after single phasing, then why we need a Single Phasing Preventer. We need Single Phasing Preventer because as after single phasing the motor will draw current 2.5 times of the normal current so motor windings may get damaged even may burn.

There are many bad effects of single phasing, so we need a Single Phasing Preventer.

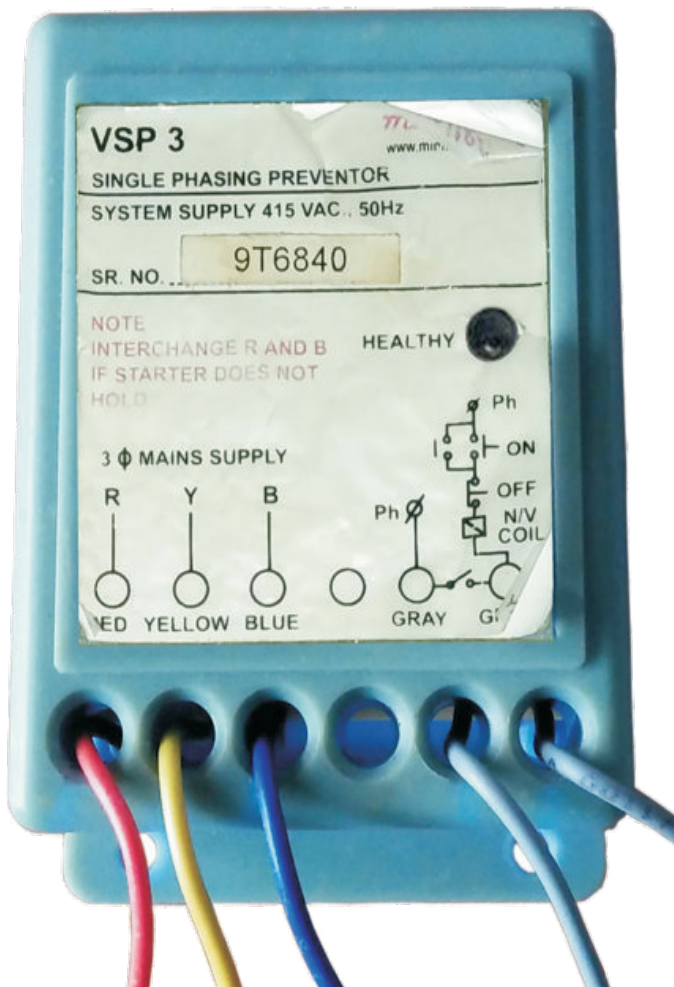
How a Single Phasing Preventer works?

Basically, a Single Phasing Preventer works like a switch, but it automatically closes the circuit in normal condition and opens the circuit in the fault condition that is single phasing.

For better understanding see the below circuit diagrams. There two circuit diagram is given. One diagram for normal condition and other for the fault condition.

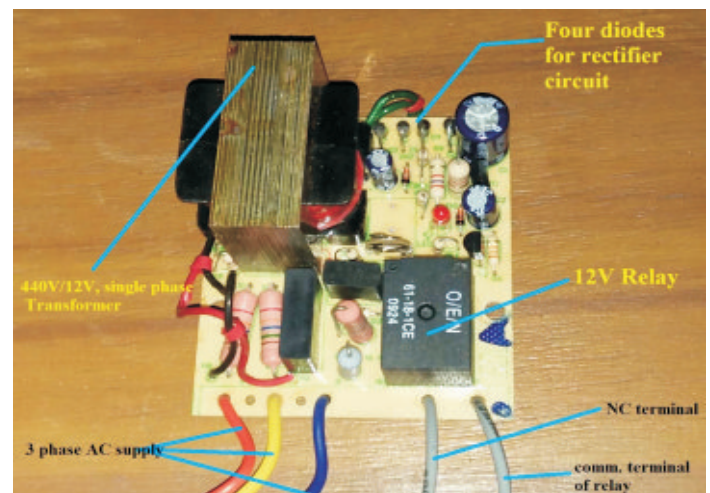
Types of Single Phasing Preventer :

- (1) Voltage sensing Single Phasing Preventer.
- (2) Current sensing Single Phasing Preventer.

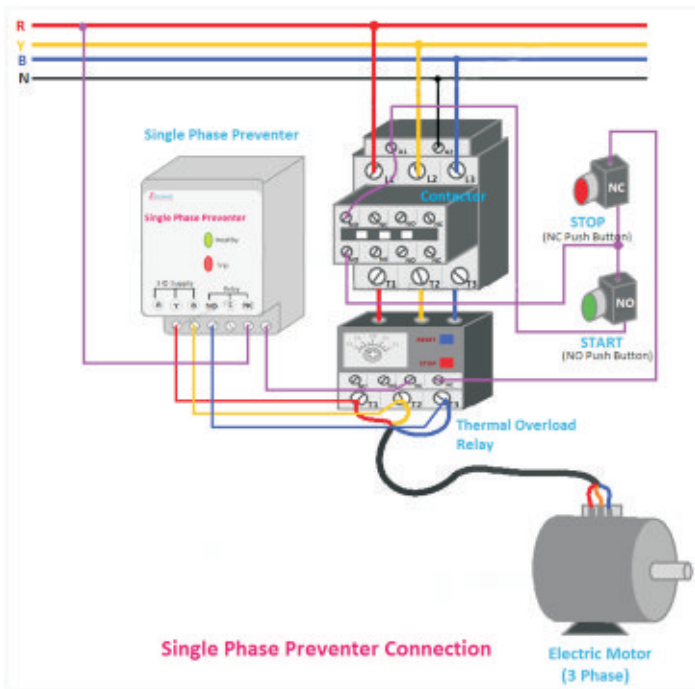


What is Single Phasing?

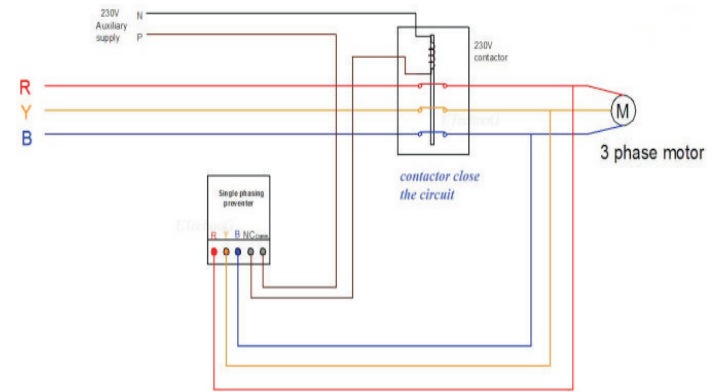
When a three-phase motor is running, if one phase among three phase open circuited then it is called Single Phasing. We know that a three-phase motor is more efficient than a single phase motor. Each three-phase motor has either star or either delta connection. So if one of phase is open they will continue to run but they will be drawn approximately 2.5 times the normal current during single phasing condition.



TECH KNOWLEDGE ➤ SINGLE PHASING AND SINGLE PHASING PREVENTER



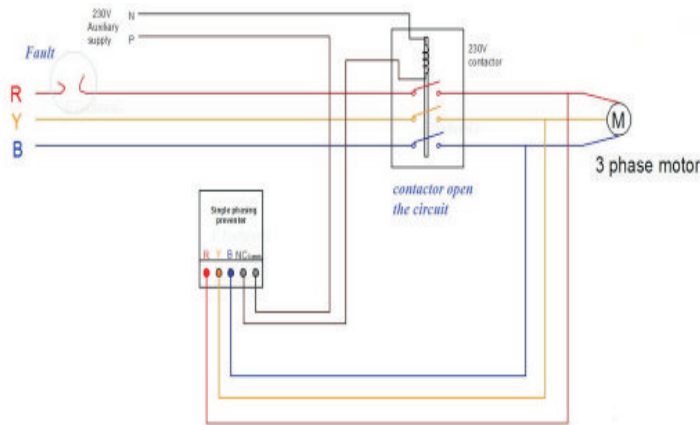
be connected before the motor and after the contactor. The remaining two gray terminals are the 'Common terminal' of the relay and 'Normally closed (NC) terminal' of the relay. As you see in the below connection diagrams the Contactor having the rating 230V. So an auxiliary supply of 230V is given to the Contactor through the two terminal of



connection of single phasing preventer without any fault

What inside a Single phasing Preventer?

Here a voltage sensing single phasing preventer is shown. as you see in the below picture it consists of a 12V Relay, a 440V/12V transformer for operating the Relay, PN junction diodes for the bridge rectifier, some capacitors, transistors, Zener diodes, resistors, variable resistors.



Connection of single phasing preventer with 'R' phase fault

Connection diagram of the Single Phasing Preventer :

The Single Phasing preventer which is shown in pictures has Five terminals, three terminals red, yellow, and blue for three phase supply which are to

the Single Phasing Preventer.

Under Normal Condition:

In normal condition the preventer act as a closed switch therefor the contactor is connected to 230V supply and holds the circuits closed so the motor will be run.

Under Fault Condition:

When the 'R' phase gets disconnected or single phasing occurred the preventer sens the fault and act as an opened switch therefor the Contactor not get supply and it breaks the circuits so the motor will be stopped.

This was the single phase preventer circuit and connection diagram with three-phase motor and Contactor.

Single Phase Preventer Connection and Wiring Diagram

CHANGES AND UPDATES

FROM JUNE 2021

TAXPAYERS SHOULD KNOW

Several important changes will come into effect for taxpayers in June 2021. A number of due dates are also ending on May 31. Taxpayers will not be able to complete those activities in June for which due dates are ending on May 21. Here's a list of 11 important changes and updates for June 2021 taxpayers should know.



1. Last date for revised ITR: You cannot file revised or belated ITR for FY 2019-20 from June 1 as the due date is May 31.
2. May 31, 2021 is the last date of filing late or revised ITR for FY 2019-20. The government had extended the date to May 31 amid the Covid-19 pandemic after receiving several requests from stakeholders seeking relaxation in tax compliances. Earlier, the due date was March 31.
3. Last date for objections to DRP and appeals: May 31 is also the last date for filing objections to the Dispute Resolution Panel (DRP) and filing an appeal before the Commissioner.
4. e-filing portal 2.0: The Income tax department is revamping the ITR e-filing website. A new look e-filing website would become operational from June 7. Check details of the new e-filing portal here. The new e-filing portal <https://incometax.gov.in> will be launched on 7th June 2021 replacing the existing portal of the Department <https://incometaxindiaefiling.gov.in>.
5. E-Filing services will be unavailable from 1st – 6th June'21.
6. SFT due date: The last date of filing State of Financial Transaction under Section 285BA is June 30. Earlier it was May 31.
7. Statement of Reportable Account due date: The last date for statement of reportable account has been extended to 30th June, 2021. Earlier it was 31st May.
8. TDS statement last date: The last date for submitting TDS Statement for Q4 of FY 2020-21 is now 30th June, 2021. Earlier it was 31st May, 2021.
9. Bank of Baroda cheque payment new rules: From June 1, Bank of Baroda will make Positive Pay confirmation mandatory for its customers for cheque payment.
10. Under the Positive Pay system, the customer has to confirm again if payment of more than Rs 2 lakh is made through cheque. If the customer fails to do so, then the transaction is cancelled.
11. PF-Aadhaar link: PF account holders have to link their Aadhaar by June 1. It is the responsibility of the employer to ask the employees to verify their PF account. PF account holders may face troubles, if their account is not linked with Aadhaar by June 1.

CHANGES AND UPDATES

FROM JUNE 2021

ITR FILING DEADLINE FOR FY-21
EXTENDED BY
2 MONTHS TO SEPT. 30 2021

The government extended the deadline to file income tax return (ITR) for FY21 for individuals by two months to September 30, 2021 from the current deadline of July 31, 2021. The Central Board of Direct Taxes (CBDT), via a circular issued on May 20, 2021, stated, "The due date of furnishing of Return of Income for the Assessment Year 2021-22, which is 31st July 2021 under sub-section (1) of section 139 of the Act, is extended to 30th September 2021."

Along with the extension of the ITR .. filing deadline, belated ITR filing deadline has been extended as well. "The due date of furnishing of belated/revised Return of Income for the Assessment Year 2021-22, which is 31st December 2021 under sub-section (4)/sub-section (5) of section 139 of the Act, is extended to 31st January 2022," the CBDT stated.

Clarification 1: It is clarified that the extension of the dates as referred to in clauses (9), (12) and (13) above shall not apply to Explanation 1 to section 234A of the Act, in cases where the amount of tax on the total income as reduced by the amount as specified in clauses (i) to (vi) of sub-section (1) of that section exceeds one lakh rupees.

Clarification 2: For the purpose of Clarification 1, in case of an individual resident in India referred to in sub-section (2) of section 207 of the Act, the tax paid by him under section 140A of the Act within the due date (without extension under this Circular) provided in that Act, shall be deemed to be the advance tax.

Last year as well various tax-related deadlines were extended by the government due to the novel coronavirus pandemic. For instance, the tax-saving deadline was extended to July 31, 2020, and the ITR filing deadline for FY 2019-20 was extended to January 10, 2021.

"Various due date relaxations will reduce compliance burden for businesses that have been struggling in the current crisis. This also emphasises how critical it is for businesses to move their tax compliance fully online. The extension of due dates for various compliances for employers as well extension of tax filing due date for taxpayers is important in the current situation as the second wave of covid is raging through several states in India," said Archit Gupta, Founder and CEO, ClearTax.

Source Economic times

The graphic features a hand holding a clipboard with a 'TAX' form. To the right, the text reads: 'EXTEND DUE DATE OF FILING INCOME-TAX RETURNS SEPT. 30 2021'. The background is blue with faint 'Rs' symbols.



Schneider
Electric

hager

legrand
LIVE THE ADVANTAGE

connectwell
THE RIGHT CONNECTION

L&T SWITCHGEAR
SAFE & SURE

KEI
Wires and Cables

INDOASIAN
energy management
MCB / MCCB / RCCB / DB's

Braco
Lugs / Cable Glands & Crimping Tools

HAVELLS
IP / DP / WIRES

Malde
CAPACITORS

DELTA
AC Drive / PLC / SMPS

B.
Berker by hager
AUTOMATION

INDUSTRIAL ENGINEERS
DISTRIBUTORS PVT. LTD.

R & D Automation
Electricals (I) Pvt. Ltd.

AUTHORISED DISTRIBUTORS & STOCKIST :

182, Lohar Chawl, Gopal Niwas, Ground Floor, Mumbai - 400002.

Phone : +91 22 2208 3031 / 2208 3032 / 2200 8084 / 2200 8085

Mobile : +91 81048 78588 / +91 98198 70142

EMAIL : INDUSTRIALENGINERS@GMAIL.COM / RNDAUTOMATIONS@GMAIL.COM

TARIFF FOR EMA HALL

The Association is please to inform all members that EMA Hall is available on Rent. The tariff for the same has been fixed against refundable Deposit Rs. 2500.00 (Two thousand five hundred only)

IDEAL FOR : SEMINAR | EXHIBITION | DISPLAY | MARKETING EVENTS | MEETING CONFERENCE

Hall booking will be subject to availability of date

Time for 11:00 am to 6:00 pm	
One Day	₹ 7,750/-
Two Day	₹ 12,000/-
Three Day	₹ 15,000/-
Time for 11:00 am to 2:00 pm or from 3:00 pm to 6:00 pm	
For 3 Hours Sessions	₹ 3,000/-

TARIFF FOR PRICE LIST DISTRIBUTION

The Tariff for the Distribution of Price List / Business Promotional Material / Information / Brochure / Pamphlets leaflets etc have fixed as under

No. of Pages	One Page	Two Pages	Three Pages	Four Pages	Five Pages
Tariff Rates	₹ 1,500	₹ 2,000	₹ 2,500	₹ 3,000	₹ 3500

Beside, if there are more than 5 pages, the Additional cost will be ₹ 1,000 per pages. Pls send 1250 copies for Distribution purpose.

WEBSITE ADVERTISEMENT TARIFF FOR ONE YEAR

No	CATEGORIES	PRICE	NO.	CATEGORIES	PRICE
1	Premium Position Advt. on Home Page	₹ 1,10,000/-	6	Category Sponsorship	₹ 7,500/-
2	Big Banner Advt. on Home Page	₹ 60,000/-	7	Banner Advt. on Just Click	₹ 1,500/-
3	Small Banner Advt. on Home Page	₹ 17,000/-	8	Company Listing on Just Click	₹ 1,500/-
4	Prime Just Click Sponsorships	₹ 60,000/-	9	Scrolling Logo on Home Page Bottom	₹ 1,000/-
5	Small Banner Just Click Home Page	₹ 10,000/-	10	Price List on Just Click	₹ 1,000/-

TARIFF FOR ADVERTISING IN BIMONTHLY JOURNAL

No	CATEGORIES	PRICE
1	Full Page	₹ 5,000
2	Half Page	₹ 3,000
3	Article + Advertisement (Full Page)	₹ 7,000
4	Article + Advertisement (Half Page)	₹ 5,000
5	2 Full Page Advertisement	₹ 9,000
6	2 Half Page Advertisement	₹ 5,000
7	3 Full Page Advertisement	₹ 12,000
8	3 Half Page Advertisement	₹ 7,000
9	6 Full Page Advertisement	₹ 24,000
10	6 Half Page Advertisement	₹ 14,000
11	Inside Front Full Page	₹ 1,25,000
12	Inside Back Full Page	₹ 1,00,000
13	Back Cover	₹ 2,00,000
14	Plastic Folder (Front & Back)	₹ 2,50,000



(ISO 9001:2015)

PLEASE NOTE :


Non-Members will be charged 20% extra on all the above tariffs.

18% GST will be charged extra as applicable on all above tariffs.

FEEDBACK FORM



The Electric Merchants' Association

EMA  +91 7700065111

Name of the firm : _____

Name : _____

Mobile No.: _____ Email : _____

1 Do you feel protected being a member of EMA?

Yes No If no, why? _____

2 Do you get relevant information from EMA on time?

On Time Sometimes Late Often Late Not Receiving

3 Do you get Bi-Monthly Journal on time?

On Time Sometimes Late Often Late Not Receiving

4 Do you get Bi-Monthly Journal informative and interesting?

Yes No If No, then why? _____

5 Would you like to support EMA's green initiative for circulars through E-mail?

Yes No Not sure

6 How effective EMA is in resolving Members' disputes & grievances?

Very effective effective Not so effective Not effective at all

7 Did you install and use the EMA App recently launched ?

Yes No

8 Is the app user friendly and did you like the contents ?

Yes No Not Sure

9 What initiative should EMA take for betterment of Members / App ?

8 Any other suggestions? _____

Stamp & Signature:

Our website www.emamumbai.com

Your's Truly,

Mr. Prashant Parikh / Mr. Nirmohi Shah

EMA POLICY, VISION & OBJECTIVE

POLICY

We at EMA care committed to achieve satisfaction of our members by all such means as may be deemed necessary within legal framework and acceptable to all interested parties. We will try to achieve our objectives by adhering to applicable requirements and try to continually improve the effectiveness of the quality management systems

VISION

- 1) To become a one stop solution for the members to resolve all their business related issues.
- 2) To be associated with other similar institution and other allied associations across the globe for the betterment of the members.

SCOPE

Safeguarding interest of the Members, keeping them up to date with relevant information, providing a platform to the members for exchange of ideas, resolving trade disputes of the members providing them with legal administrative and technical support, engaging them in various recreational activities.

ACHIEVEMENTS

Provided a meeting place for conference, exhibition, demonstrations, lectures, seminars and other relevant functions for exchange of views of members and other interested parties.

PURPOSE

To promote co-operation among persons, firms, companies connected with the electric trade and industry in India, whether as importers, exporters, wholesale or retail dealers, manufacturers, contractors, consultants or commission agents. With a view to their adopting a common policy and collectively taking such steps as may be considered necessary or expedient to further and safeguard the interest of trade and industry.

To frame and from time to time update and try to enact rules and bye-laws for the benefit of and binding on the Association and/or its members and non-members dealing with the members to promote and safeguard the interest of the Association and its members.

To elevate standard of business moral and promote system of preferential treatment to the members of the Association.

Providing facilities and machinery for the settlement of disputers by arbitration.

To take such steps which may be deemed necessary for promoting, supporting or opposing legislation or actions by the Government or any departments thereof or by any local body or bodies and in general to take the initiative to safeguard the interests of the Electrical Trade and Industry.

OBJECTIVES

To Organise in a calendar year at least one :

- Excursion
- Social Family Gathering
- Medical Seminars
- Technical Seminar
- Factory Visit
- Sports Event
- Medical Camp for Members and Staff.
- Taxation Seminar

To acquire, verify and circulate relevant notifications issued by regulatory authorities among the members within two weeks of their receipt.

To educate general public including members by all suitable means on the advantages and the utilities of electricity, electrical appliances and articles used for domestic, commercial and industrial purpose twice a year.

Establishing, equipping and maintaining a library for the benefits of the members.

INDIA'S #1 CHANNEL PARTNER FOR ELECTRICAL & POWER TRANSMISSION PRODUCTS

 <p>SIEMENS</p> <p>SWITCHGEARS</p>	 <p>legrand</p> <p>MCB'S/WIRING ACCESSORIES</p>	 <p>ABB</p> <p>SWITCHGEARS, DRIVES & AUTOMATION</p>	 <p>OMRON</p> <p>INDUSTRIAL AUTOMATION</p>	 <p>Bonfiglioli Forever Forward</p> <p>GEARED MOTORS</p>
 <p>SIEMENS</p> <p>MOTORS</p>	 <p>hindustan ELECTRIC MOTORS</p> <p>MOTORS</p>	 <p>Bharat Bijlee</p> <p>MOTORS</p>	 <p>Panasonic</p> <p>SERVO & COMPACT AC GEARED MOTORS</p>	 <p>POLYCARB</p> <p>WIRES & CABLES</p>
 <p>Finolex</p> <p>WIRES & CABLES</p>	 <p>UNISTAR</p> <p>ELASTOMERIC CABLES</p>	 <p>PHILIPS sense and simplicity</p> <p>LIGHTING</p>	 <p>BAJAJ Bajaj Electricals Ltd.</p> <p>LIGHTING</p>	 <p>connectwell THE RIGHT CONNECTION</p> <p>TERMINAL BLOCKS & RELAY CARD</p>
 <p>ELMEASURE Possibilities... Infinite</p> <p>DIGITAL PANEL METERS</p>	 <p>CONTINENTAL CONTITECH</p> <p>V-BELTS</p>	 <p>SKF</p> <p>BEARINGS</p>	 <p>Castrol</p> <p>INDUSTRIAL LUBRICANTS</p>	 <p>SMC</p> <p>PNEUMATICS</p>
 <p>Jinko Solar Panels</p> <p>IMPORTED PANELS</p>	 <p>INDIAN PANELS</p>	 <p>SMA</p> <p>STRING INVERTERS</p>	 <p>POLYCARB</p> <p>STRING INVERTERS</p>	 <p>GEESYS</p> <p>ACDB & DCDB</p>

FOR SUPPORT:



sales@vashielectricals.com



02522-661600

Suman Singh - 02522-661663 / 8291973045 Rupali Bhaskar - 022-27626331 / 7738869991 Deepak Shroff - 02522-663725 / 7506440724





PRECISION[®]

PIPES

ELECTRICAL PIPING SYSTEMS



ROUND CONDUIT uPVC, G.I. & M.S. PIPES & FITTINGS

CORRUGATED FLEXIBLE CONDUIT PIPES & FITTINGS

uPVC MINI / MAXI TRUNKING PIPES & FITTINGS

uPVC PANEL TRUNKING

Har Building ki Lifeline
PRECISION PIPELINE

electrical@precisionpipes.com

Customer Care : +91 77150 00015